



6CN7-8CN7

DUPLEX-DIODE TRIODE

6CN7
8CN7
 ET-T908A
 Page 1
 11-56

DESCRIPTION AND RATING

The 6CN7 is a duplex-diode high-mu triode in which separate cathodes are provided for the diode and triode sections. The triode section of the 6CN7 is electrically identical to the triode section of the 6T8. The tube is primarily intended for service as a combined horizontal phase detector and reactance tube in television receivers. The triode section may also be used in a variety of other applications, such as in sync-separator, sync-amplifier, or audio-amplifier circuits.

Except for heater ratings, the 8CN7 is identical to the 6CN7. Both of the tubes incorporate a controlled heater-warm-up characteristic which makes them especially suited for use in television receivers that employ series-connected heaters.

GENERAL

ELECTRICAL

	6CN7		8CN7	
	Series	Parallel	Series	Parallel
Cathode—Coated Unipotential				
Heater Voltage, AC or DC	6.3	3.15	8.4	4.2 Volts
Heater Current	0.3	0.6	0.225	0.45 Amperes
Heater Warm-up Time*		11		11 Seconds

Direct Interelectrode Capacitances†

Triode Grid to Plate	1.8 $\mu\mu\text{f}$
Triode Input	1.5 $\mu\mu\text{f}$
Triode Output	0.5 $\mu\mu\text{f}$
Grid to Each Diode Plate	0.006 $\mu\mu\text{f}$
Diode-Number 1 Plate to Diode Cathode and Heater	3.6 $\mu\mu\text{f}$
Diode-Number 2 Plate to Diode Cathode and Heater	3.6 $\mu\mu\text{f}$

MECHANICAL

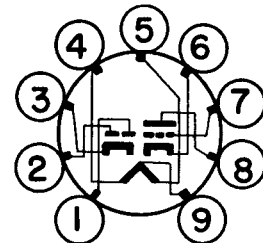
Mounting Position—Any
 Envelope—T-6 1/2, Glass
 Base—E9-1, Small Button, 9-Pin

MAXIMUM RATINGS

DESIGN-CENTER VALUES

Plate Voltage	300 Volts
Positive DC Grid Voltage	0 Volts
Plate Dissipation	1.0 Watts
Heater-Cathode Voltage	
Heater Positive with Respect to Cathode	
DC Component	100 Volts
Total DC and Peak	200 Volts
Heater Negative with Respect to Cathode	
Total DC and Peak	200 Volts
Diode Current for Continuous Operation, Each Diode	5.0 Milliamperes

BASING DIAGRAM

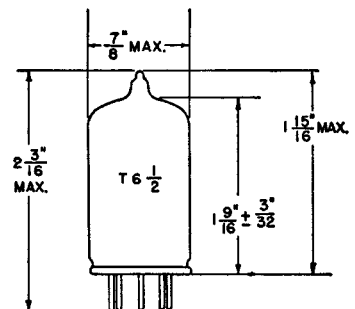


RETMA 9EN

TERMINAL CONNECTIONS

- Pin 1—Diode Number 2 Plate
- Pin 2—Diode Number 1 Plate
- Pin 3—Diode Cathode and Internal Shield
- Pin 4—Heater
- Pin 5—Heater
- Pin 6—Triode Cathode
- Pin 7—Triode Grid
- Pin 8—Triode Plate
- Pin 9—Heater Center-Tap

PHYSICAL DIMENSIONS



RETMA 6-2

GENERAL ELECTRIC

Supersedes ET-T908, dated 3-55

CHARACTERISTICS AND TYPICAL OPERATIONS

CLASS A₁ AMPLIFIER

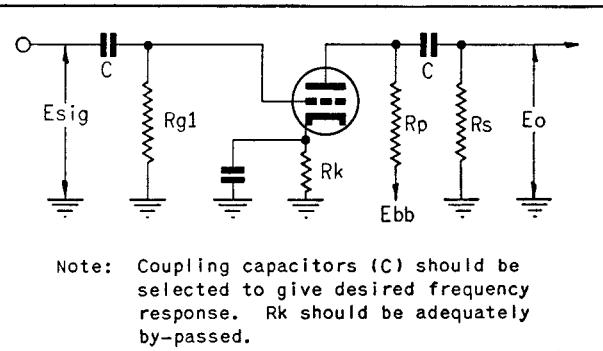
Plate Voltage.....	100	250 Volts
Grid Voltage.....	-1.0	-3.0 Volts
Amplification Factor.....	70	70
Plate Resistance, approximate.....	54000	58000 Ohms
Transconductance.....	1300	1200 Micromhos
Plate Current.....	0.8	1.0 Milliamperes
Average Diode Current, Each Diode with 5.0 Volts DC Applied.....		20 Milliamperes

* The time required for the voltage across the heater to reach 80 percent of its rated value after applying 4 times rated heater voltage to a circuit consisting of the tube heater in series with a resistance equal to 3 times the rated heater voltage divided by the rated heater current.

† Without external shield.

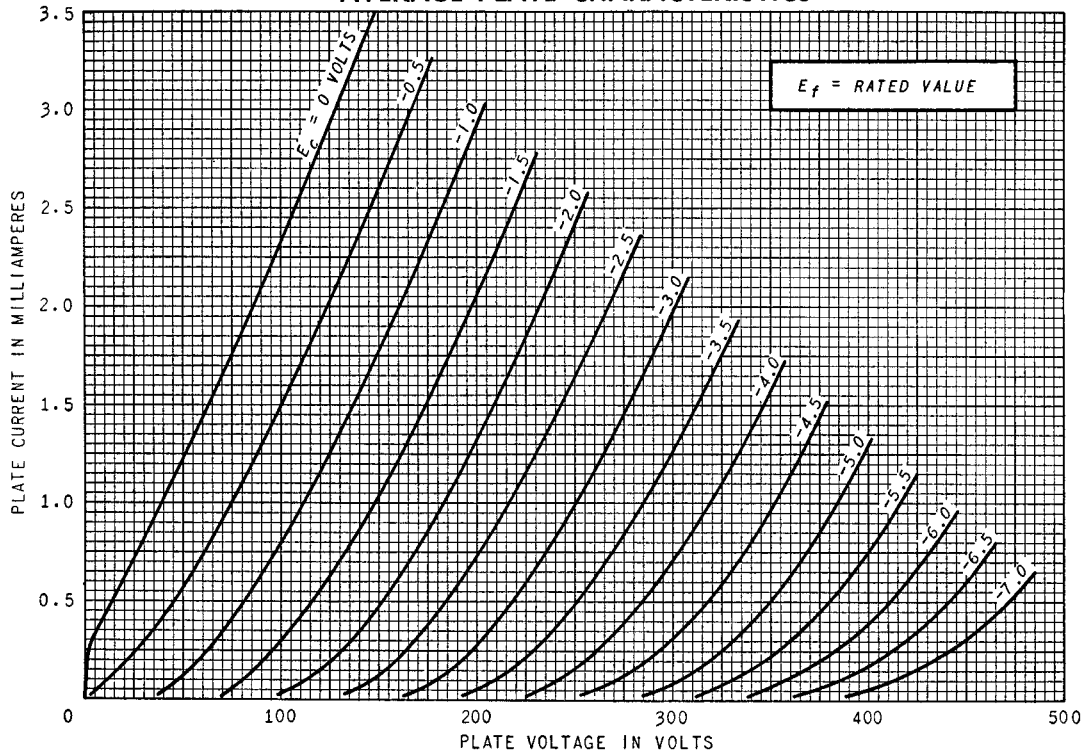
CLASS A RESISTANCE-COUPLED AMPLIFIER

R _p Meg.	R _s Meg.	R _{g1} Meg.	E _{bb} = 90 Volts			E _{bb} = 180 Volts			E _{bb} = 300 Volts		
			R _k	Gain	E _o	R _k	Gain	E _o	R _k	Gain	E _o
0.10	0.10	0.10	5700	21	7.0	2400	29	18	1800	33	35
0.10	0.24	0.10	6100	26	9.0	2700	34	23	2000	38	42
0.24	0.24	0.10	9100	30	10	4300	40	24	3000	44	43
0.24	0.51	0.10	10000	34	13	4700	45	31	3300	49	52
0.51	0.51	0.10	15000	37	14	7500	47	28	5600	51	50
0.51	1.0	0.10	16000	40	16	8200	50	35	6200	55	60
0.24	0.24	10	0	31	5.0	0	44	19	0	48	40
0.24	0.51	10	0	37	7.0	0	49	25	0	52	52
0.51	0.51	10	0	39	7.5	0	51	22	0	54	44
0.51	1.0	10	0	42	10	0	54	28	0	58	56



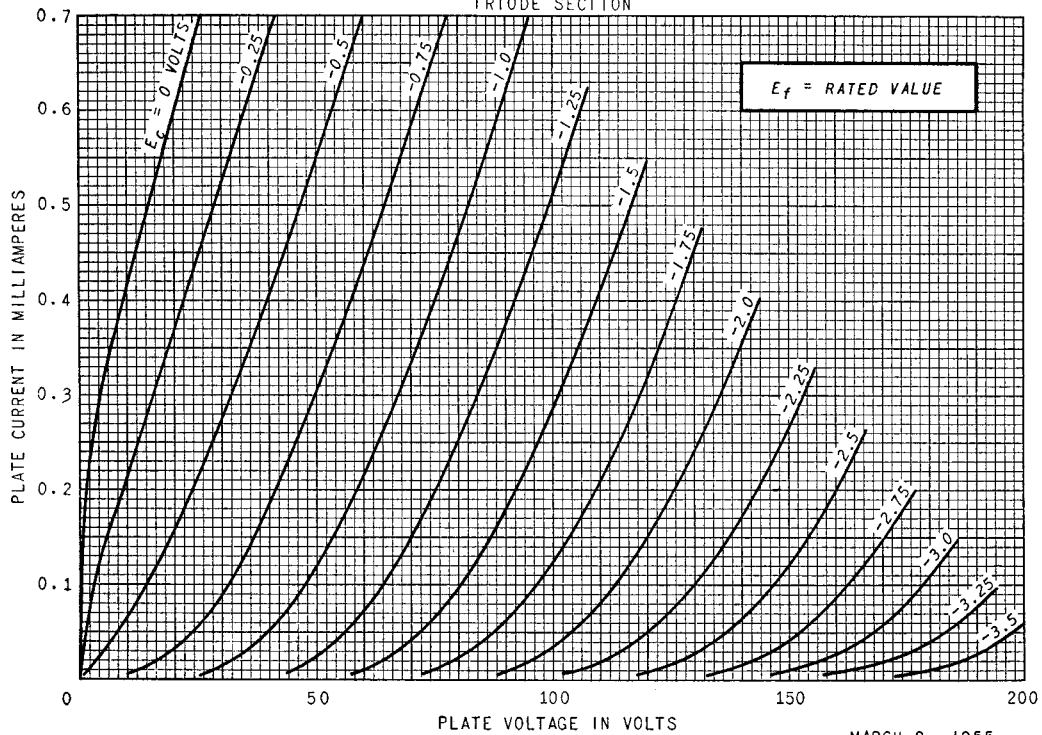
Notes: 1. E_o is maximum RMS voltage output for five percent (5%) total harmonic distortion. 2. Gain measured at 2.0 volts RMS output. 3. For zero-bias data, generator impedance is negligible.

AVERAGE PLATE CHARACTERISTICS



AVERAGE PLATE CHARACTERISTICS

TRIODE SECTION



AVERAGE CHARACTERISTICS

